



KONICA MINOLTA

# ColorReader *CR-10*

**Check the color difference between two samples.  
Economical, portable, and easy to use.**

- ***Fits in the Palm of your Hand***
- ***Battery Operated***
- ***Lightweight***
- ***Low Price***
- ***Simple to Use***



The essentials of imaging

# Color Reader CR-10

## Simple operation

Only the functions necessary for use are provided.  
Even first users operate it easily.

## Compact size and light weight

The compact design fits in the palm of your hand.  
The CR-10 is also battery operated, so you can take it almost anywhere.

## Color difference displayed

$\Delta(L^*a^*b^*)$  dE 1.7 dL- 1.1  
da+ 0.6 db+ 1.0

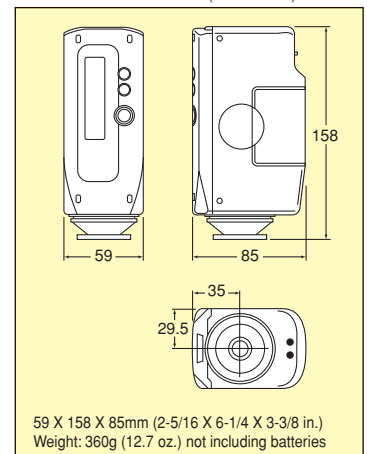
$\Delta(L^*C^*H^*)$  dE 1.7 dL- 1.1  
dC+ 1.2 dH+ 1.5V



## Specifications

<b>Illuminating/viewing geometry</b>	8/d (8° illumination angle/diffuse viewing : specular component included)
<b>Measuring area</b>	Approx. Ø8mm
<b>Display modes</b>	$\Delta(L^*a^*b^*)$ / $\Delta E^*ab$ or $\Delta(L^*C^*H^*)$ / $\Delta E^*ab$
<b>Target color memory</b>	1 channel; set by measurement
<b>Measuring range</b>	L*: 10 to 100
<b>Measurement conditions</b>	Observer : CIE 10° Standard Observer Illuminant : CIE Standard Illuminant D65
<b>Repeatability</b>	Standard deviation within $\Delta E^*ab$ 0.1 (Measurement conditions: Average of measurements of standard white plate)
<b>Minimum interval between measurements</b>	Approx. 1 sec.
<b>Power source</b>	Four AA-size batteries or optional AC Adapter AC-A12
<b>Battery life</b>	Alkaline-manganese batteries: Approx.2000 measurements at 10-sec. intervals Ni-Cd batteries: Approx. 600 measurements at 10-sec intervals
<b>Operating temperature/humidity range</b>	0 to 40°C; relative humidity 85% or less (at 35°C) with no condensation
<b>Standard accessories</b>	Soft Case CR-A68; Protective Cap CR-A72; Wrist Strap CR-A73; AA-size batteries (4)
<b>Optional accessories</b>	AC Adapter AC-A12; AC Adapter AC-A21 (for Korea); Printer Cable CR-A75

## Dimensions (UNITS : mm)



## Color Reader CR-??

Do you have a color-measurement need that could be filled by a customized Konica Minolta Color Reader model? We are always eager to listen to your needs, and will consider developing a customized model if sufficient sales quantities (100 units or more) are possible. Please feel free to talk with us about your requirements.

**Can we  
make one  
for you?**

**KONICA MINOLTA SENSING, INC.**  
Konica Minolta Sensing Americas, Inc.  
Konica Minolta Sensing Europe B.V.

Osaka, Japan  
New Jersey, U.S.A.  
European Headquarter /BENELUX  
German Office (International)  
German Office (Germany)  
French Office  
UK Office  
Italian Office  
Swiss Office  
Nordic Office  
Austrian Office  
Polish Office

**Phone** : 888-473-2656(in USA), 201-236-4300(outside USA)

Nieuwegein, Netherland  
Langenhagen, Germany  
München, Germany  
Roissy CDG, France  
Milton Keynes, United Kingdom  
Milan, Italy  
Dietikon, Switzerland  
Västra Frölunda, Sweden  
Wien, Austria  
Warszawa, Poland  
Shanghai, China  
Beijing, China  
Guangzhou, China  
Singapore  
Seoul, Korea

**Phone** : +31(0)30 248-1200  
**Phone** : +49(0)511 7404-862  
**Phone** : +49(0)89 630267-20  
**Phone** : +33(0)1 493-82519  
**Phone** : +44(0)1908 540-622  
**Phone** : +39(0)23 90111  
**Phone** : +41(0)43 322-9800  
**Phone** : +46(0)31 7099464  
**Phone** : +43(0)1 87882-430  
**Phone** : +48(0)22 56033-00  
**Phone** : +86-021-5489 0202  
**Phone** : +86-010-8522 1551  
**Phone** : +86-020-3826 4220  
**Phone** : +65 6563-5533  
**Phone** : 02-523-9726

**Fax** : 201-785-2480  
**Fax** : +31(0)30 248-1211  
**Fax** : +49(0)511 7404-807  
**Fax** : +49(0)89 630267-67  
**Fax** : +33(0)1 493-84771  
**Fax** : +44(0)1908 540-629  
**Fax** : +39(0)23 9011219  
**Fax** : +41(0)43 322-9809  
**Fax** : +46(0)31 474945  
**Fax** : +43(0)1 87882-431  
**Fax** : +48(0)22 56033-01  
**Fax** : +86-021-5489 0005  
**Fax** : +86-010-8522 1241  
**Fax** : +86-020-3826 4223  
**Fax** : +65 6560-9721  
**Fax** : 02-523-9729

**Konica Minolta (CHINA) Investment Ltd.** SE Sales Division  
SE Beijing Office  
SE Guangzhou Office

**Konica Minolta Sensing Singapore Pte Ltd.**

**KONICA MINOLTA SENSING, INC.** Seoul Office

Addresses and telephone/fax numbers are subject to change without notice. For the latest contact information, please refer to the KONICA MINOLTA SENSING Worldwide Offices web page (link below).

<http://konicaminolta.com/about/se/contact.html>